

CSC I 05: Interactive Web

- Projects from previous years:
 - <http://cs.smith.edu/~nhowe/teaching/csc105/hall/>

CSC I 05: Interactive Web

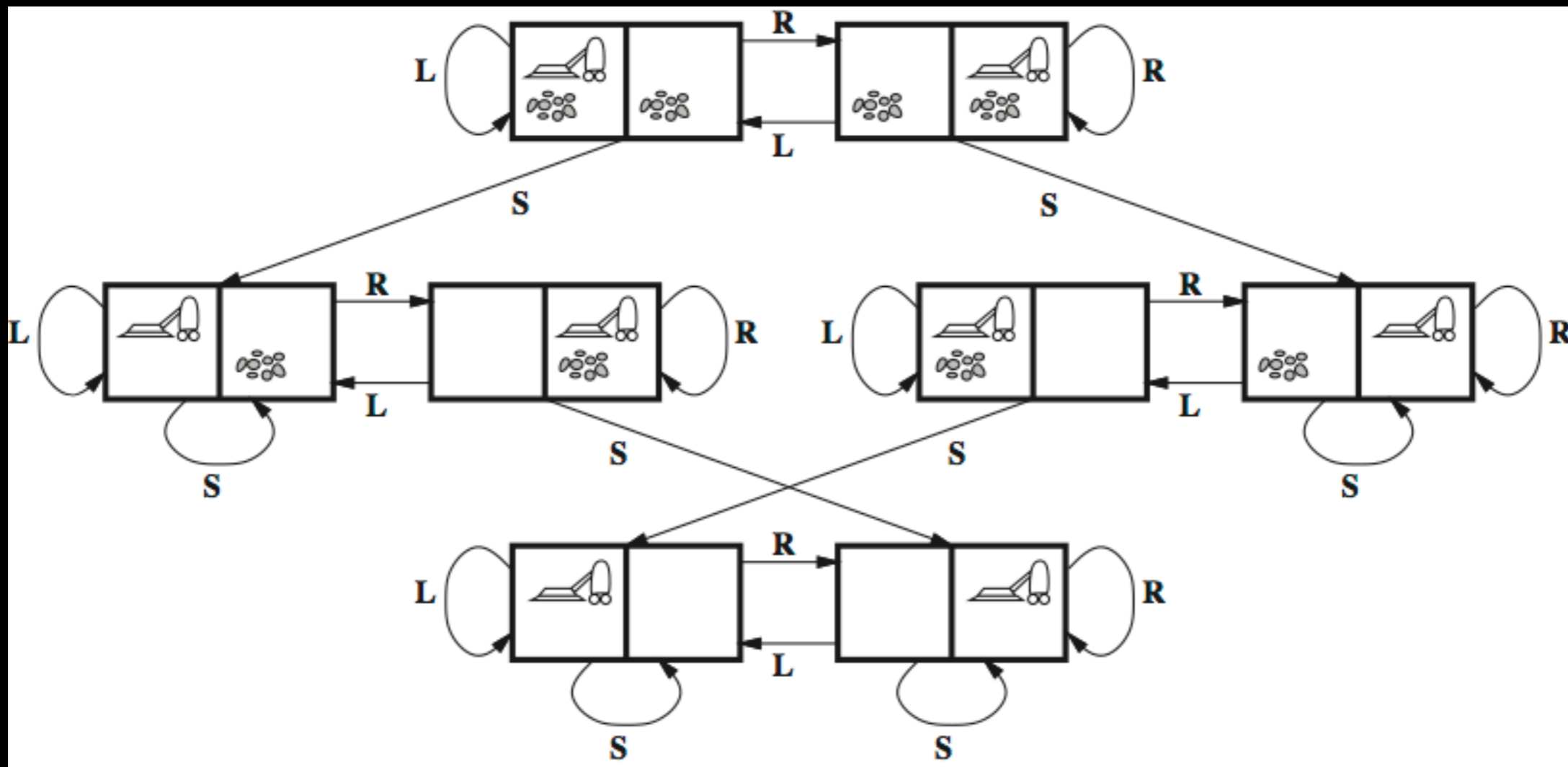
- Why take this course:
 - curiosity
 - understand how web pages you use work
 - would like to get a job in web design

CSC290: Artificial Intelligence

- Some state of the art examples:
 - <http://heli.stanford.edu/>
 - <http://www.engadget.com/2011/01/13/ibms-watson-supercomputer-destroys-all-humans-in-jeopardy-pract/>

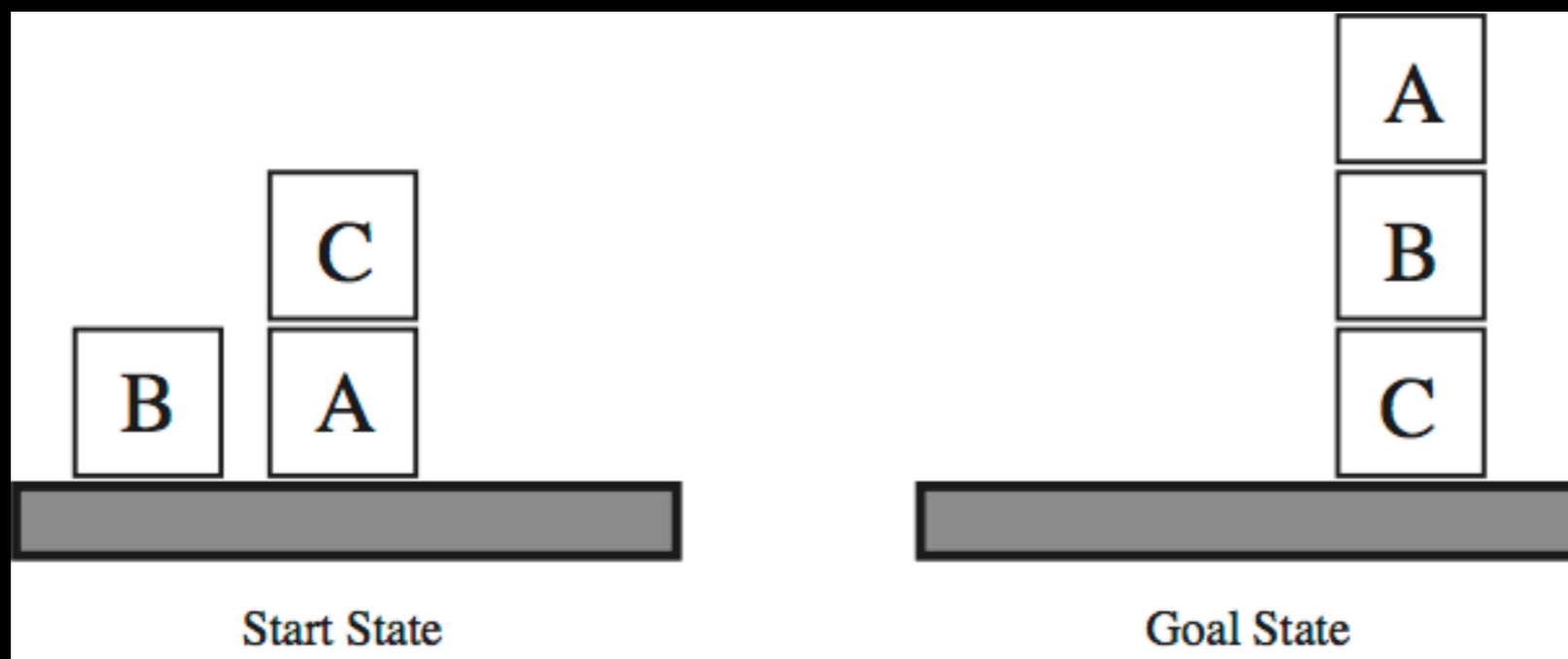
CSC290: Artificial Intelligence

- We'll start with something a bit less ambitious...



CSC290: Artificial Intelligence

- More practice problems...



CSC290: Artificial Intelligence

- Also games...
 - chess
 - checkers
 - tic-tac-toe

CSC290: Artificial Intelligence

- Programming
- Probability
- Logic

CSC290: Artificial Intelligence

- "Everything in CS is AI before we understand it."